

operating instructions

instrucciones de operación

instructions

L A Z B O Y®

Silver Luxury-Lift®

power recliner

Sillón reclinable

fauteuil inclinable ÉlectroPlus

la-z-boy.com

La-Z-Boy Incorporated
One La-Z-Boy Drive
Monroe, MI 48162

L A Z B O Y®

Congratulations!

You are now the proud owner of a state-of-the-art Silver Luxury-Lift® Power Recliner by La-Z-Boy.®

You have just selected one of the finest quality upholstered products produced in the furniture industry, backed by over 90 years of quality manufacturing experience.

La-Z-Boy is proud of our designs and craftsmanship and knows you will feel the same as you enjoy your new furniture's comfort and style.

IMPORTANT

Read the safety and other instructions before using your Silver Luxury-Lift® Power Recliner. Keep this manual for future reference.

Table of Contents

Important Safety Instructions.....	4-5
Silver Luxury-Lift® Power Recliner Assembly Instructions.....	6-9
Silver Luxury-Lift® Power Recliner Adjustable Glides.....	10
Silver Luxury-Lift® Power Recliner Battery Backup Assembly Instructions.....	11
Silver Luxury-Lift® Power Recliner Operating Instructions.....	12-15
Silver Luxury-Lift® Power Recliner Troubleshooting	16
Furniture Placement Guide	17

Disclaimer: The information and products featured in this manual may be somewhat different from the product you purchased. La-Z-Boy reserves the right to make substitutions that are equal in quality and performance.

Important Safety Instructions:

Important: Read these instructions thoroughly before using.
When assembling, do not plug in until directed in Operating Instructions.

DANGER – To reduce the risk of electric shock, serious injury or death:

- Do not let children play on or near the chair when in use. Serious injury or death could occur if head or body parts are under the chair when the chair is in motion.
- Disconnect the electrical plug from outlet before cleaning, moving, servicing or when not in use for an extended period of time.
- Do not use this product if it is wet, in water, around water or any liquid. Do not handle the plug or remote control with wet hands.
- To prevent suffocation keep plastic bags away from children.
- Plug directly into a wall outlet. Do not use an extension cord, adapter or surge protector.
- Keep cord out of reach of small children, and do not use where it may be a trip hazard.

WARNING – To reduce the risk of burns, fire, electric shock, serious injury or death:

- Keep upholstery away from flames or lit cigarettes. Upholstery may burn rapidly, with toxic gas and thick smoke. Fires that begin elsewhere in a home may spread and involve upholstery. For your safety, always use a properly installed smoke detector with working batteries.
- Closely supervise children and disabled persons using this product.
- Sit down in the unit slowly. To avoid tip over, do not throw your weight against the back of the unit. Move the unit into or out of the reclining position slowly, making sure that no children or pets are in close proximity.
- This product has many moving parts, serious injury can occur if not used properly. Keep hands, fingers and body parts away from the mechanism. To reduce the risk of head entrapment and other injuries, keep children and pets away from openings and moving parts in and around furniture.
- Only the occupant should operate the unit. Never attempt to open the legrest by pulling on it.
- Do not stand, sit, or place extra weight on the arms, back or open legrest.
- To safely exit the unit and prevent a tripping hazard, bring the back upright and close the legrest.
- Do not use this product if it is damaged. Do not use attachments or substitute parts.
- This product is intended for indoor residential use only.
- Provide a clear path for operation of the back and legrest. Place tables and area rugs at a distance to allow the legrest to fully extend without rubbing or interference.
- Check the condition of the power transformers, electrical cords, plugs, and connectors monthly. Keep the power transformers and electrical cords away from heat sources. Never operate the unit with a damaged power transformer, electrical cord, plug, or connector. Contact your La-Z-Boy® dealer for service.
- Do not use unit if power control is damaged or wet. Do not use unit if the hand wand has been dropped in water or any liquid. Contact your La-Z-Boy® dealer for service.
- This product is not intended for use as a health care device. Some medications and physical limitations may impair your ability to operate this product in a safe manner. Consult your physician if you are taking prescribed or over the counter medication, or if you have physical limitations.
- Users of medical devices should contact their health care provider before using this product. Do not use this product if you have poor circulation, are immobile, or cannot sense heat, except as directed by your health care provider.

Important Safety Instructions:

Important: Read these instructions thoroughly before using.
When assembling, do not plug in until directed in Operating Instructions.

- Unit is designed to ease exit from the chair. Take care to not slip out of chair when chair is in motion.
- Do not use this product where aerosol (spray) products are being used or where oxygen is being administered.
- In the event of a power failure, the battery backup provided may not lift the user to a fully raised position. To ensure lift functionality during a power outage, a battery backup system must be purchased separately. Contact your La-Z-Boy® dealer for more information. Replace the power transformer batteries every six months and after each power failure use.
- Do not operate the unit until the back is installed and locked.
- Before moving the product, disconnect the electrical plug from the wall outlet and secure the mechanism to prevent unexpected opening or movement. Never move the product by the mechanism, legrest, handle, reclining back or swivel base.
- Do not attempt to disassemble or service the pump or motor; no serviceable parts are inside. Contact your La-Z-Boy® dealer for service.
- Do not allow electrical cord to be pinched between moving parts or between the frame and the floor. Do not place cord under carpet or in a location where it could become worn.
- Do not use pillow, blanket, or other cover between occupant and chair surface when heat is engaged.
- Always unplug the power cord before connecting or disconnecting the hand wand.
- Unplug the power cord immediately if you detect strange odors or fumes coming from the chair.
- Do not attempt to disconnect the power plug by pulling the power cord. Always hold the power plug and pull it out.
- Burns may result from improper use and care of internal heating pads. To avoid risk of burns, do not use pins, do not allow heating pad area to become wet, and do not remove upholstery cover.
- To reduce the risk of electric shock, this product has a polarized plug (one blade is wider than the other). This plug will fit in a polarized outlet only one way. If the plug does not fit fully in the outlet, reverse the plug. If it still does not fit, contact a qualified electrician to install the proper outlet. Do not change the plug in any way.
- The 4LP lift chairs are intended for a single occupant, not exceeding 325 pounds. Do not operate the chair with more than one occupant in or on any part of the chair.
- If you give this product to someone else, include this Operating Instructions manual.

NOTICE – To reduce the risk of product damage:

- To prevent damage to the power transformer, do not plug in until instructed.
- Gently press the buttons during operation and avoid hitting the buttons with pointed or hard objects.
- Never operate the unit except when it is on its base in the upright position.
- After 2 minutes of continuous operation of the 4LP lift chairs, allow the lift and recline features to rest for 16 minutes.
- Never operate the unit until the shipping cable tie has been removed from the mechanism.

Silver Luxury-Lift® Power Recliner Assembly Instructions

NOTICE – To reduce the risk of product damage:

- Do not plug the transformer in until instructed.
- Never operate the unit until the shipping cable tie has been removed from the mechanism.

1. Choose a location for the lift chair that is close to an electrical outlet.
2. Starting with the unit removed from the carton and unpacked, lay the back across the chair arms with the back cushion facing the seat, and turn the outside back cover over, toward the front of the chair. Cut and remove the shipping cable tie securing the mechanism assembly, located at the rear of the mechanism (FIGURE 1).
3. Cut the cable tie securing the hand wand, power cord and power transformer box to the inside of the back (FIGURE 3). Remove the hand wand from the packing and set the other parts aside.
4. Connect the hand wand. Locate the black round connector at the rear of the body (FIGURE 3), align the arrow on the hand wand connector to the arrow on the body connector, push the connectors together and close the locking cover to secure the connection (FIGURE 2). Lay the hand wand across the seat, toward the front of the chair.

WARNING – To reduce the risk of injury:

- Do not operate the unit until the back is installed and locked.

5. Install the back.
 - Turn the locking levers, located on the brackets attached to the back (one on each side), to a 90 degree angle (FIGURE 3).
 - Note the location of the fastening tape sewn to the back cover; the mating fastening tape is on the bottom side of the rear rail. Do not attach the fastening tape at this time.
 - With the back across the chair arms, lift the back at a slight angle and align the brackets on the back with the brackets on the body (FIGURE 3).
 - Lower the back onto the body, making sure the back and body brackets are completely engaged.
 - Lift the back upholstery cover to visually confirm that both sets of back and body brackets are engaged (FIGURE 4). If one or both brackets are not engaged, remove the back and repeat the steps above.
 - If you are unable to install the back properly, contact your La-Z-Boy® dealer for assistance.
 - Lock the brackets by using a screwdriver to push down the locking levers (FIGURE 5).

(Assembly Instructions Continued)

Silver Luxury-Lift® Power Recliner Assembly Instructions

FIGURE 1



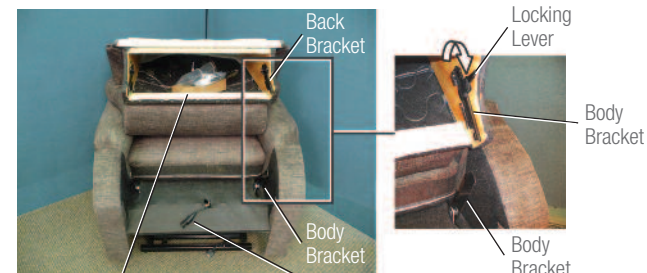
Shipping Cable Tie

FIGURE 2



Hand Wand Connection

FIGURE 3



Hand Wand, Power Cord
and Power Transformer Box

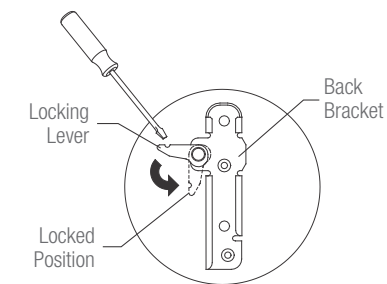
Hand Wand Connector
at Rear Body

FIGURE 4



Back and Body
Brackets Engaged

FIGURE 5



Silver Luxury-Lift® Power Recliner Assembly Instructions

6. Attach the outside back cover. The back upholstery cover attaches to the body using fastening tape. Pull the outside back upholstery cover down tight and firmly press the fastening tape on the outside back cover to the fastening tape on the bottom side of the rear rail (FIGURE 6).
7. Make the power transformer connections.
 - Remove power transformer from box and unwind cord.
 - Align the power transformer connector to the power supply connector from behind the chair and push the connectors together until they lock (FIGURE 7).
 - Connect the 120 volt power cord to the power transformer. Align the 120 volt power cord connector to the power transformer and push together until fully seated (FIGURE 7). Do not plug in until instructed in the *Operating Instructions*.
8. Proceed to the *Glide Adjustment Instructions*, followed by the *Battery Backup Assembly Instructions*.
9. To remove the back, unplug the 120 volt power cord from the electrical outlet and disconnect the power transformer connector from the power supply connector. Reverse the *Assembly Instructions* steps.

Luxury-Lift® Power Recliner Assembly Instructions

FIGURE 6

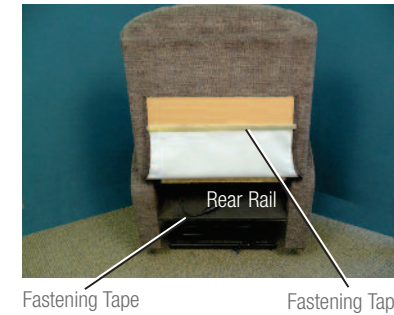


FIGURE 7



(Assembly Instructions Continued)

Silver Luxury-Lift® Power Recliner Glide Adjustment Instructions

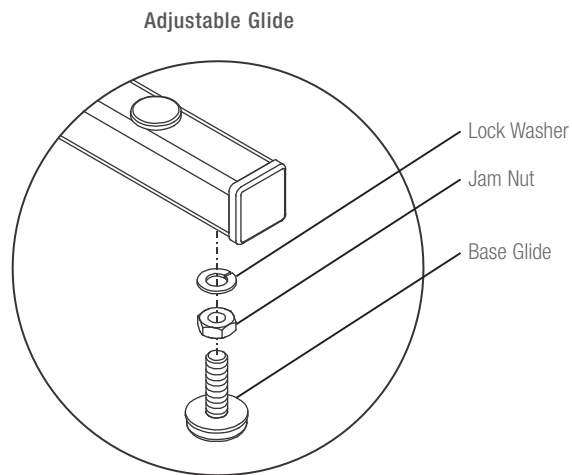
⚠ WARNING – To reduce the risk of serious injury:

- Provide a clear path for operation of the back and legrest. Place tables and area rugs at a distance to allow the legrest to fully extend without rubbing or interference.

Adjusting the Glides

Adjustable glides are provided in the front of the base to raise and level the chair as required. Make sure to adjust the glides to a height that provides a clear path for operation of the legrest (see *Furniture Placement Guide*).

- Each glide is attached to the base by one jam nut and one lock washer. Loosen the jam nut.
- Turn the glide clockwise to lower the chair or counterclockwise to raise the chair.
- After proper adjustment, tighten the jam nut to the lock washer. Make adjustments as necessary.
- Repeat these steps for the other adjustable glide, if necessary.



Silver Luxury-Lift® Power Recliner Battery Backup Assembly Instructions

⚠ WARNING – To reduce the risk of serious injury:

- In the event of a power failure, the battery backup provided may not lift the user to a fully raised position. To ensure lift functionality during a power outage, a battery backup system must be purchased separately. Contact your La-Z-Boy® dealer for more information. Replace the power transformer batteries every six months and after each power failure use.

Battery Backup Assembly Instructions

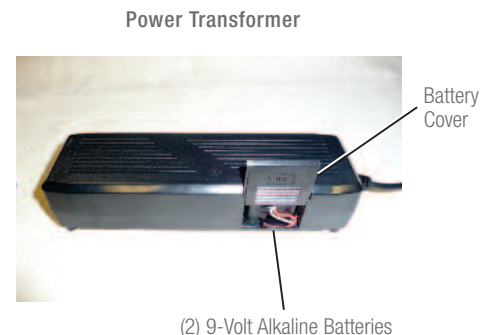
The performance of the built-in battery backup cannot be guaranteed. If you require continuing use during a power outage, you should purchase a separate battery backup system. Contact your La-Z-Boy® dealer for more information.

The operating speed is reduced when operating on battery backup.

Always maintain constant, even pressure on the button or toggle when operating on battery backup to reduce energy consumption.

The built-in battery backup is located in the power transformer and uses two 9-volt alkaline batteries (not included).

1. Unplug the power transformer from the electrical outlet and disconnect the power transformer connection at the base of the chair.
2. The battery compartment is located on the side of the power transformer. Slide the battery cover up to access the battery compartment.
3. Place the connection caps over the battery terminals on each battery. Place the batteries in the compartment, taking care not to damage any wires.
4. Slide the battery cover over the compartment.
5. Proceed to the *Operating Instructions*.



Silver Luxury-Lift® Power Recliner Transformer Specifications:

Input: 120–240V~, 50/60Hz, 1.5A

Output: 29V, 2.0A

Silver Luxury-Lift® Power Recliner Operating Instructions

⚠ DANGER – To reduce the risk of serious injury or death:

- Do not let children play on or near the chair when in use. Serious injury or death could occur if head or body parts are under the chair when the chair is in motion.
- Do not use this product if it is wet, in water, around water or any liquid. Do not handle the plug or remote control with wet hands.
- Plug directly into a wall outlet. Do not use an extension cord, adapter or surge protector.
- Keep cord out of reach of small children, and do not use where it may be a trip hazard.

⚠ WARNING – To reduce the risk of serious injury:

- The 4LP lift chairs are intended for a single occupant, not exceeding 325 pounds. Do not operate the chair with more than one occupant in or on any part of the chair.
- Sit down in the unit slowly. To avoid tip over, do not throw your weight against the back of the unit. Move the unit into or out of the reclining position slowly, making sure that no children or pets are in close proximity.
- To safely exit the unit and prevent a tripping hazard, bring the back upright and close the legrest.
- Unit is designed to ease exit from the chair. Take care to not slip out of chair when chair is in motion.

NOTICE – To reduce the risk of product damage:

- After 2 minutes of continuous operation of the 4LP lift chairs, allow the lift and recline features to rest for 16 minutes.

Getting Started

To avoid product damage, the 4LP lift and recline features should not be operated continuously for extended periods of time. After 2 minutes of continuous operation, allow the lift and recline features to rest for 16 minutes.

Connect the power transformer connector to the connector at the base of the lift chair. Connect the 120 volt power cord to the transformer. Plug the power transformer **directly** into a wall outlet.

Silver Luxury-Lift® Power Recliner Operation

The **4LP** offers multiple modes of operation. The large, round **LIFT** and **RECLINE** button on the front of the hand wand **AND** the toggle on the back of the hand wand provide coordinated movements. The **LIFT** and **RECLINE** button and back toggle will operate all functions of the chair in one fluid movement from sitting, reclining and legrest extension, back to the upright position and standing.

To sit down in the chair:

1. Stand beside the chair and press down on the front **LIFT** button and hold, or press the back **toggle down** and hold. Release the button or toggle when the chair reaches a comfortable height to sit against, depending on your personal needs and preference.
2. Step back into the chair and sit in the center of the seat while keeping your feet firmly on the floor.
3. Press down on the front **RECLINE** button and hold, or press the back **toggle up** and hold, to lower the chair. Release the button or toggle when the chair reaches the upright, seated position.

Silver Luxury-Lift® Power Recliner Operating Instructions

To recline the chair:

There are multiple modes of operation to recline the chair. The back and legrest move together using the large, round **LIFT** and **RECLINE** button on the front of the hand wand, or the toggle on the back of the hand wand.

1. With the chair in the seated position, press and hold the large round **RECLINE** button, or press the back **toggle up**, and hold to recline the back and raise the legrest. Release the button or toggle when you are in a comfortable position.
2. Make adjustments to the back and legrest recline as preferred.
3. To return the chair to the upright, seated position, press and hold down on the front, large round **LIFT** button, or press and hold the back **toggle down**. Release the button or toggle when you reach the upright, seated position.

To stand up from the chair:

There are multiple modes of operation for the lift feature. The round **LIFT** button on the front and the toggle on the back provide a coordinated movement of the lift function. The chair must be in its upright, seated position—with the back fully upright and the legrest fully closed—for the lift feature to function.

1. Firmly position your feet on the floor to maintain balance and prevent sliding or falling. Press down on the front **LIFT** button and hold, or press the back **toggle down** and hold, to raise the chair to the standing position.
2. Release the button or toggle when the chair reaches a height that enables you to comfortably stand. Carefully exit the chair.
3. Return the chair to the upright, seated position if you will be away from the chair for an extended period of time. Press down on the front **RECLINE** button and hold, or press the back **toggle up** and hold, to lower the chair. Release the button or toggle when the chair is in its upright, seated position.

Additional Operating Features:

Safety Legrest

The Silver lift chairs include a breakaway legrest safety feature. When the legrest encounters most ordinary obstructions while closing, the legrest will disengage, or breakaway, from the mechanism. You will hear a “pop” when this happens and the legrest will stop moving.

If the legrest becomes disengaged from the mechanism, gently pull up on the legrest and remove the obstruction from the legrest path. The legrest should be near the closed position. Then, firmly push the legrest closed with your legs. You will hear a “pop” when the legrest is reconnected to the mechanism. Because of the sensitivity of the breakaway feature, the legrest may disengage if you place your full body weight toward the front of the chair while lowering the legrest. If this happens, reposition your body weight and firmly push the legrest closed with your legs. The legrest should be near the closed position when reengaging the mechanism.

Power Transformer Over-Current Protection

The Silver series lift chairs are equipped with over-current protection. This feature prevents damage to the motors and electronics if there is an overload, short circuit or ground fault. Should the system detect an over-current, the system shuts down and the recliner stops functioning.

If the over-current protection is activated, stop pressing the button or toggle in use. The system should reset automatically. If you believe the chair is not being overloaded, or experiencing a short circuit or ground fault, you may restart the function of the chair after the button or toggle has been released. Should the over-current protection trip repeatedly, refer to the *Troubleshooting* section in this manual.

Additionally, the power supply includes a green LED status light to indicate power is being supplied to the system. If the light is **not** illuminated, no power is being supplied to the system. Refer to the *Troubleshooting* section in this manual if the power supply is plugged in, but the green light is not illuminated.

Silver Luxury-Lift® Power Recliner Operating Instructions

FRONT

Coordinated Lift & Return Button

When seated, press and hold down on the **LIFT** button to raise the chair to the standing position.

– OR –

When reclined, press and hold down on the **LIFT** button to return the back to the upright position and the legrest to the closed position.

Release the button to stop in any reclined position, or when fully upright.



Coordinated Lower & Recline Button

When lifted, press and hold down on the **RECLINE** button to lower the chair to the seated position.

– OR –

When seated, press and hold down the **RECLINE** button to recline the back and raise the legrest.

Release the button to stop in any reclined position, or when fully reclined.

⚠️ WARNING – To reduce the risk of serious injury:

- Do not use unit if power control is damaged or wet. Do not use unit if the hand wand has been dropped in water or any liquid. Contact your La-Z-Boy® dealer for service.

Silver Luxury-Lift® Power Recliner Operating Instructions

BACK

Toggle Down – Coordinated Lift & Return

When seated, press the **toggle down** and hold to raise the chair to the standing position.

– OR –

When reclined, press the **toggle down** and hold to return the back to the upright position and the legrest to the closed position.

Release the toggle to stop in any reclined position, or when fully upright.



Toggle Up – Coordinated Lower & Recline

When lifted, press the **toggle up** and hold up to lower the chair to the seated position.

– OR –

When seated, press the **toggle up** and hold up to recline the back and raise the legrest.

Release the toggle to stop in any reclined position, or when fully reclined.

⚠️ WARNING – To reduce the risk of serious injury:

- Do not use unit if power control is damaged or wet. Do not use unit if the hand wand has been dropped in water or any liquid. Contact your La-Z-Boy® dealer for service.

Silver Luxury-Lift® Power Recliner Troubleshooting

⚠ WARNING – To reduce the risk of serious injury:

- Do not attempt to disassemble or service the pump or motor; no serviceable parts are inside. Contact your La-Z-Boy® dealer for service.
- Check the condition of the power transformers, electrical cords, plugs and connectors monthly. Keep the power transformers and electrical cords away from heat sources. Never operate the unit with a damaged power transformer, electrical cord, plug or connector. Contact your La-Z-Boy® dealer for service.
- The 4LP lift chairs are intended for a single occupant, not exceeding 325 pounds. Do not operate the chair with more than one occupant in or on any part of the chair.

Troubleshooting for Legrest Operation

If the legrest stops moving while closing, and all other functionality of the lift chair is operating, the legrest may have encountered an obstruction and disengaged from the mechanism.

1. Check to make sure there are no obstructions. Lift and hold the legrest up, look for obstructions and remove them.
2. Firmly push the legrest closed with your legs; you will hear a “pop” when the legrest is reconnected to the mechanism.

If there are no obstructions and the legrest still does not close properly, contact your La-Z-Boy® dealer for service.

Troubleshooting for Lift and Recline Operation

If the recline or lift features do not work, check the following:

1. Make sure the 120 volt power cord is plugged into an electrical outlet.
2. Check the power transformer to make sure the green LED power indicator light is on.
3. Make sure the electrical outlet is working. For example, make sure there are no blown fuses or tripped circuit breakers.
4. Make sure all the connections are secure; refer to the *Assembly Instructions*.
5. Make sure the electrical cords are not crimped or pinched. Make sure the electric cord or plug is not damaged.
6. Make sure the operating capacity has not been exceeded and there is only one occupant in the chair; refer to the *Operating Instructions*.

Power Transformer Replacement

If the power transformer must be replaced:

1. Unplug the power transformer from the electrical outlet.
2. Disconnect the 120 volt power cord from the power transformer, and disconnect the power transformer from the power supply connector. Refer to the *Assembly Instructions*.
3. Connect the new power transformer to the power supply connector; align the connectors and push together until locked. Connect the 120 volt power cord to the new power transformer; align the connector to the power transformer and push together until fully seated. Refer to the *Assembly Instructions*.
4. Proceed to the *Battery Backup Assembly Instructions*.

Furniture Placement Guide

⚠ WARNING – To reduce the risk of serious injury:

- Provide a clear path for operation of the back and legrest. Place tables and area rugs at a distance to allow the legrest to fully extend without rubbing or interference.

To place your reclining unit the proper distance from the wall, fully recline the unit and leave a minimum of 2" of space between the top of the back and the wall.

Place tables and area rugs at a distance to allow the legrest to fully extend without rubbing or interference.



¡Felicitaciones!

Ahora es el propietario de un innovador sillón reclinable eléctrico Silver Luxury-Lift® de La-Z-Boy.®

Usted ha seleccionado uno de los productos tapizados de mayor calidad que se producen en la industria de mobiliarios, respaldado por nuestra experiencia de más de 90 años en fabricación de alta calidad.

En La-Z-Boy nos sentimos orgullosos de nuestros diseños y artesanía y sabemos que usted gozará del confort y estilo de su nuevo mueble.

IMPORTANTE

Lea las instrucciones de seguridad y las demás instrucciones antes de usar su sillón reclinable eléctrico Silver Luxury-Lift®. Conserve este manual para utilizarlo como referencia en el futuro.

Índice

Instrucciones importantes de seguridad.....	20-21
Instrucciones de ensamble del sillón reclinable eléctrico Silver Luxury-Lift®.....	22-25
Deslizadores ajustables del sillón reclinable eléctrico Silver Luxury-Lift®.....	26
Instrucciones de ensamble de la batería de reserva del sillón reclinable eléctrico Silver Luxury-Lift®.....	27
Instrucciones de operación del sillón reclinable eléctrico Silver Luxury-Lift®	28-31
Solución de problemas del sillón reclinable eléctrico Silver Luxury-Lift®	32
Guía de disposición de muebles	33

Exención de responsabilidad: la información y los productos que se presentan en este manual pueden tener algunas diferencias con el producto que compró. La-Z-Boy se reserva el derecho a realizar reemplazos que sean de igual calidad y desempeño.

Instrucciones importantes de seguridad:

Importante: lea estas instrucciones con atención antes de usar el producto.

Al armar la unidad, no la enchufe hasta que se indique en las Instrucciones de operación.

PELIGRO

- Para reducir el riesgo de choque eléctrico, lesiones graves o muerte:

- No permita que los niños jueguen en la silla o cerca de ella cuando esté en uso. Si la cabeza u otras partes del cuerpo se sitúan bajo la silla cuando está en movimiento, esto podría ocasionar lesiones graves o la muerte.
- Desconecte el enchufe eléctrico del tomacorriente antes de limpiar, mover, dar servicio o cuando no estará en uso durante un período prolongado.
- No use este producto si está mojado, en agua, cerca de agua o de cualquier líquido. No toque el enchufe o el control remoto si sus manos están mojadas.
- Mantenga bolsas de plástico alejadas de los niños para que éstos no se asfixien.
- Enchufe directamente en un tomacorriente en la pared. No utilice un cordón de extensión, un adaptador o protector de sobretensión.
- Mantenga el cordón alejado de los niños pequeños y no lo use si puede implicar riesgo de tropiezos.

ADVERTENCIA

- Para reducir el riesgo de sufrir quemaduras, incendios, choque eléctrico, lesiones graves o muerte:

- Mantenga el tapizado lejos de las llamas o de cigarrillos encendidos. El tapizado puede quemarse rápidamente y expulsar gases tóxicos y humo denso. Los incendios que comienzan en cualquier otra parte del hogar se pueden extender y afectar el tapizado. Por seguridad, utilice siempre un detector de humo bien instalado con baterías que funcionen correctamente.
- Vigile estrechamente a los niños y personas discapacitadas cuando utilicen este producto.
- Siéntese lentamente en la unidad. Para evitar que se vuelque, no se arroje contra el respaldo. Recline o enderece la unidad lentamente después de asegurarse de que no hayan niños o mascotas en las cercanías.
- Este producto tiene muchas piezas que se mueven y, por lo tanto, pueden ocurrir lesiones graves si no se utiliza correctamente. Mantenga las manos, los dedos y otras partes del cuerpo alejadas del mecanismo. Para reducir la posibilidad de que la cabeza quede atrapada como también otras lesiones, no permita que niños y mascotas se acerquen a las aberturas y piezas móviles del mueble.
- Sólo el ocupante debe operar la unidad. Nunca trate de abrir el apoyapiernas jalándolo.
- No se pare, no se siente ni coloque peso adicional sobre los apoyabrazos, el respaldo o el apoyapiernas abierto.
- Para levantarse de la unidad y no tropezar, regrese el respaldo a su posición vertical y pliegue el apoyapiernas.
- Si el producto está dañado, no lo use. No utilice accesorios ni componentes sustitutos.
- Este producto es solamente para uso en espacios interiores residenciales.
- Asegúrese de que el sillón, respaldo y apoyapiernas tengan suficiente espacio para su operación. Coloque tapetes y mesas de forma que el apoyapiernas pueda extenderse sin que haga contacto con los mismos.
- Revise una vez por mes el estado de los transformadores, los cordones, enchufes y conectores eléctricos. Mantenga los transformadores y cordones eléctricos alejados de fuentes de calor. Nunca opere la unidad si tiene un transformador, cordón, enchufe o conector eléctrico dañado. Comuníquese con su distribuidor La-Z-Boy® si necesita servicio.
- No utilice la unidad si el control eléctrico está dañado o mojado. No utilice la unidad si se ha sumergido el control remoto en agua u otro líquido. Comuníquese con su distribuidor La-Z-Boy® si necesita servicio.
- Este producto no fue diseñado como dispositivo de asistencia médica. Algunas medicaciones y limitaciones físicas pueden disminuir su capacidad de operar este producto en forma segura. Consulte a su médico si está tomando medicamentos recetados o sin receta, o si tiene alguna limitación física.
- Los usuarios de dispositivos médicos deben contactar a sus médicos antes de utilizar este producto. No use este producto si tiene mala circulación, está inmovilizado o no puede sentir el calor, excepto cuando lo apruebe su doctor.

Instrucciones importantes de seguridad:

Importante: lea estas instrucciones con atención antes de usar el producto.

Al armar la unidad, no la enchufe hasta que se indique en las Instrucciones de operación.

- La unidad está diseñada para poder levantarse con facilidad de la silla. Tenga cuidado de no levantarse de la silla cuando esté en movimiento.
- No utilice este producto en áreas donde se usan atomizadores (rociadores) o donde se usa oxígeno.
- En el caso de que se produzca un corte de energía, es posible que la batería de reserva provista no sea suficiente para elevar al usuario hasta una posición completamente recta. Para asegurar que la función de elevación opere correctamente durante un corte de energía, se debe adquirir un sistema de baterías de reserva de forma separada. Comuníquese con el distribuidor de La-Z-Boy® para obtener más información. Reemplace las baterías del transformador eléctrico cada seis meses y después de usarlas durante un corte de energía.
- No opere la unidad antes de haber instalado y asegurado el respaldo.
- Antes de mover el producto, desconecte el enchufe de la pared y asegure el mecanismo para que no se pueda abrir o mover inesperadamente. Nunca mueva el producto tirando del mecanismo, el apoyapiernas, la manija, el respaldo reclinable o la base giratoria.
- No trate de desarmar o hacer un servicio a la bomba o al motor. Estos no contienen piezas que se puedan reparar. Comuníquese con su distribuidor La-Z-Boy® si necesita servicio.
- No permita que el cordón eléctrico quede comprimido entre las partes en movimiento o entre el marco y el piso. No coloque el cordón debajo de la alfombra o en una ubicación en donde se puede desgastar.
- No ponga una almohada, cobija u otra cobertura entre el ocupante y el sillón cuando está encendida la calefacción del sillón.
- Siempre desenchufe el cordón antes de conectar o desconectar el control remoto.
- Desenchufe el cordón inmediatamente si detecta olores extraños o humo provenientes del sillón.
- No intente desenchufar la unidad tirando del cordón. Siempre sujete el enchufe y tírelo hacia fuera.
- Podría sufrir quemaduras a causa del uso y cuidado incorrecto de las almohadillas térmicas internas. Para evitar el riesgo de quemaduras, no utilice alfileres, no permita que se moje el área de la almohadilla térmica y no retire la funda de tapizado.
- Para reducir el riesgo de choque eléctrico, este producto contiene un enchufe polarizado (una de las clavijas es más ancha que la otra). Este enchufe entra en un tomacorriente polarizado de una sola manera. Si el enchufe no encaja completamente dentro del tomacorriente, délo vuelta. Si el enchufe sigue sin encajar, comuníquese con un electricista para instalar el tomacorriente que corresponda. No modifique el enchufe de ninguna manera.
- Los sillones elevadores 4LP están diseñados para un ocupante, que no supere las 325 libras (147 kg). No opere el sillón con más de un ocupante en éste o en cualquier parte del sillón.
- Si le da este producto a otra persona, dele también este manual de instrucciones de operación.

AVISO

- Para reducir el riesgo de daños al producto:

- Para impedir daños al transformador eléctrico, no enchufe antes de lo indicado.
- Presione ligeramente los botones durante la operación y no golpee los botones con objetos puntiagudos o duros.
- Nunca haga funcionar la unidad a menos que se encuentre sobre su base en posición recta.
- Transcurridos 2 minutos de operación continua del sillón elevador 4LP, procure que las funciones de elevación y reclinado descansen durante 16 minutos.
- Nunca haga funcionar la unidad hasta que haya retirado del mecanismo el sujetacables que se incluye en el envío.

Instrucciones de ensamble del sillón reclinable eléctrico Silver Luxury-Lift®

AVISO – Para reducir el riesgo de daños al producto:

- No enchufe el transformador eléctrico antes de lo indicado.
- Nunca haga funcionar la unidad hasta que haya retirado del mecanismo el sujetacables que se incluye en el envío.

1. Elija una ubicación para el sillón elevador que esté cerca de un tomacorriente.
2. Comience con la unidad retirada del cartón y sin el embalaje, coloque el respaldo sobre los apoyabrazos con el cojín del respaldo de cara al asiento y gire la cubierta externa del respaldo hacia el frente del sillón. Corte y retire el sujetacables que se incluye en el envío que sujeta el ensamble del mecanismo, que se encuentra en la parte posterior de la unidad (FIGURA 1).
3. Corte el sujetacables que asegura la caja que contiene el mando manual, el cordón y el transformador eléctrico al interior del respaldo (FIGURA 3). Retire el mando manual del embalaje y separe las otras partes.
4. Conecte el mando manual. Ubique el conector redondo negro en la parte posterior del cuerpo (FIGURA 3), alinee la flecha en el conector del mando manual con la flecha en el conector del cuerpo, presione los conectores para unirlos y cierre la cubierta de traba para asegurar la conexión (FIGURA 2). Disponga el mando manual sobre el asiento, hacia el frente del sillón.

ADVERTENCIA – Para reducir el riesgo de lesiones:

- No opere la unidad antes de haber instalado y asegurado el respaldo.

5. Instale el respaldo.
 - Gire las palancas de traba ubicadas en los soportes acoplados al respaldo (uno a cada lado), en un ángulo de 90 grados (FIGURA 3).
 - Ubique la cinta de sujeción cocida a la cubierta del respaldo; la otra cinta de sujeción se encuentra en la parte inferior del riel posterior. No una la cinta de sujeción en este momento.
 - Con el respaldo colocado sobre los apoyabrazos, levántelo levemente y alinee los soportes en el respaldo con los soportes en el cuerpo (FIGURA 3).
 - Mueva el respaldo hacia abajo sobre el cuerpo, asegurándose de que los soportes del respaldo y del cuerpo estén completamente trabados.
 - Levante la cubierta tapizada del respaldo para confirmar visualmente que tanto el juego de soportes del respaldo como el del cuerpo están trabados (FIGURA 4). Si uno o ambos soportes no están trabados, retire el respaldo y repita los pasos descritos arriba.
 - Si no puede instalar el respaldo correctamente, comuníquese con su distribuidor de La-Z-Boy® para obtener asistencia.
 - Trabe los soportes con un destornillador para empujar las palancas de traba (FIGURA 5).

(Continuación de las Instrucciones de ensamble)

Instrucciones de ensamble del sillón reclinable eléctrico Silver Luxury-Lift®

FIGURA 1



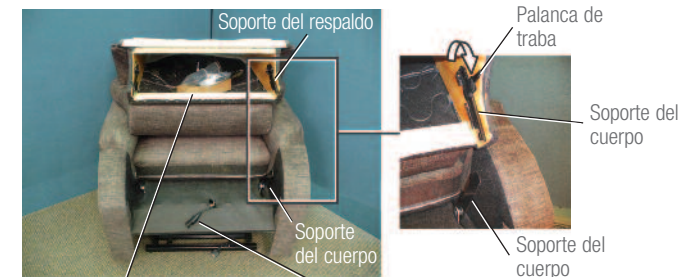
Sujetacables que se incluye en el envío

FIGURA 2



Conexión del mando manual

FIGURA 3



Caja de mando manual, cordón y transformador eléctrico

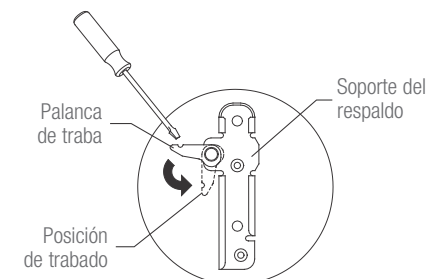
Conector del mando manual en la parte posterior del cuerpo

FIGURA 4



Respaldo y cuerpo
Soportes acoplados

FIGURA 5

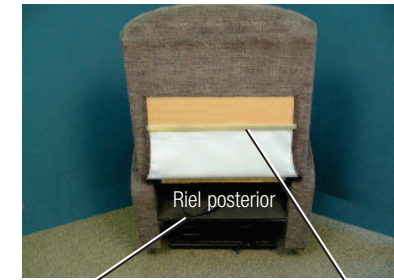


Instrucciones de ensamble del sillón reclinable eléctrico Silver Luxury-Lift®

6. Fije la cubierta externa del respaldo. La cubierta tapizada del respaldo se fija al cuerpo con una cinta de sujeción. Jale la cubierta externa tapizada del respaldo hacia abajo con fuerza y presione con firmeza la cinta de sujeción de la cubierta externa del respaldo sobre la cinta de sujeción en la parte inferior del riel posterior (FIGURA 6).
7. Realice las conexiones del transformador eléctrico.
 - Retire el transformador eléctrico de la caja y desenrolle el cordón.
 - Alinee el conector del transformador eléctrico con el conector de alimentación que se encuentra detrás del sillón y presione uno con el otro hasta que se traben (FIGURA 7).
 - Conecte el cordón de 120 voltios al transformador eléctrico. Alinee el conector del cordón de 120 voltios con el transformador eléctrico y presiónelos para unirlos hasta que estén completamente acoplados (FIGURA 7). No enchufe hasta que se le indique en las *Instrucciones de operación*.
8. Proceda con las Instrucciones de *Deslizadores ajustables*, seguido de las *Instrucciones de ensamble de la batería de reserva*.
9. Para retirar el respaldo, desenchufe el cordón de 120 voltios del tomacorriente y desmonte el transformador eléctrico del conector de alimentación. Siga los pasos de las *Instrucciones de ensamble* en sentido inverso.

Instrucciones de ensamble del sillón reclinable eléctrico Silver Luxury-Lift®

FIGURA 6



Cinta de sujeción

Cinta de sujeción

Nota: la cinta de sujeción ubicada en la parte inferior del riel posterior del cuerpo no es visible.

FIGURA 7



Transformador eléctrico/
Conexión a la fuente de
alimentación eléctrica

Conexión del cordón
de 120 voltios

(Continuación de las Instrucciones de ensamble)

Deslizadores ajustables del sillón reclinable eléctrico Silver Luxury-Lift®

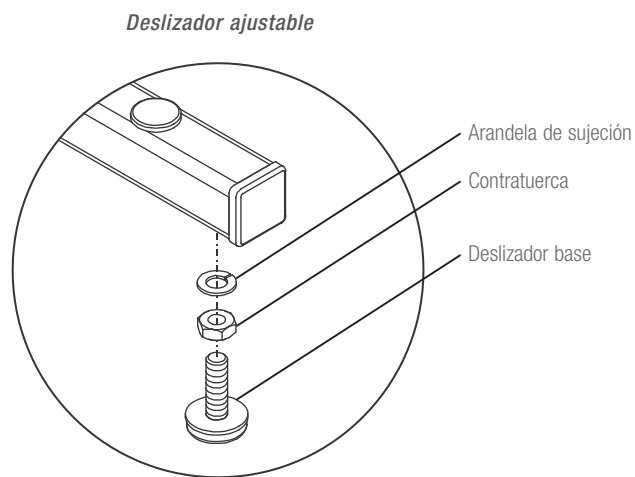
⚠️ ADVERTENCIA – Para reducir el riesgo de lesiones graves:

- Asegúrese que el sillón, respaldo y apoyapiernas tengan suficiente espacio para su operación. Coloque tapetes y mesas de forma que el apoyapiernas pueda extenderse sin que haga contacto con los mismos.

Ajuste de los deslizadores

La parte frontal de la base tiene deslizadores ajustables para elevar y nivelar el sillón según se desee. Asegúrese de ajustar los deslizadores a una altura que permita suficiente espacio para la operación del apoyapiernas (consulte la *Guía de disposición de muebles*).

- Cada deslizador está sujetado a la base con una contratuerca y una arandela de bloqueo. Afloje la contratuerca.
- Gire el deslizador en el sentido de las agujas del reloj para bajar el sillón o en sentido opuesto para elevarlo.
- Después de realizar un ajuste adecuado, asegure la contratuerca a la arandela de bloqueo. Realice los ajustes necesarios.
- Repita estos pasos para el otro deslizador ajustable, si es necesario.



Instrucciones de ensamble de la batería de reserva del sillón reclinable eléctrico Silver Luxury-Lift®

⚠️ ADVERTENCIA – Para reducir el riesgo de lesiones graves:

- En el caso de que se produzca un corte de energía, es posible que la batería de reserva provista no sea suficiente para elevar al usuario hasta una posición completamente recta. Para asegurar que la función de elevación opere correctamente durante un corte de energía, se debe adquirir un sistema de baterías de reserva de forma separada. Comuníquese con el distribuidor de La-Z-Boy para obtener más información. Reemplace las baterías del transformador de energía cada seis meses y después de usarlas durante un corte de energía.

Instrucciones de ensamble de la batería de reserva

El desempeño de la batería de reserva incorporada no se puede garantizar. Si desea seguir utilizando la unidad durante un corte de energía, debe comprar un sistema de baterías de reserva por separado. Comuníquese con el distribuidor de La-Z-Boy® para obtener más información.

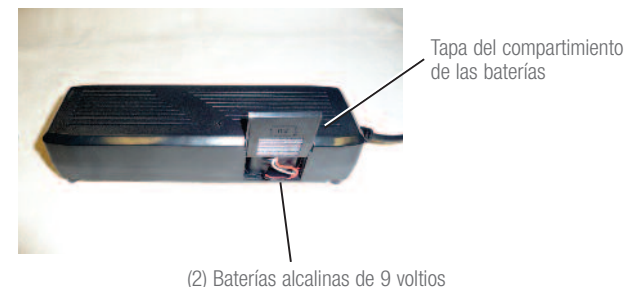
La velocidad de operación se reduce cuando la unidad funciona con la batería de reserva.

Siempre mantenga el botón o el interruptor presionado de forma constante y uniforme cuando opere la unidad con la batería de reserva para reducir el consumo de energía.

La batería de reserva incorporada se encuentra ubicada en el transformador eléctrico y utiliza dos baterías alcalinas de 9 voltios (no incluidas).

1. Desenchufe el transformador eléctrico del tomacorriente y desconecte el transformador eléctrico en la base del sillón.
2. El compartimiento de las baterías se encuentra en el costado del transformador eléctrico. Deslice la tapa hasta tener acceso al compartimiento de las baterías.
3. Coloque las tapas de conexión sobre las terminales de cada batería. Coloque las baterías en el compartimiento, con cuidado de no dañar los cables.
4. Deslice la tapa sobre el compartimiento.
5. Proceda con las *Instrucciones de operación*.

Transformador eléctrico



Especificaciones del transformador del sillón reclinable eléctrico Silver Luxury-Lift®:

Entrada: 120–240 V~, 50/60 Hz, 1,5 A

Salida: 29 V, 2,0 A

Instrucciones de operación del sillón reclinable eléctrico Silver Luxury-Lift®

⚠ PELIGRO – Para reducir el riesgo de lesiones graves o muerte:

- No permita que los niños jueguen en la silla o cerca de ella cuando esté en uso. Si la cabeza u otras partes del cuerpo se sitúan bajo la silla cuando está en movimiento, esto podría ocasionar lesiones graves o la muerte.
- No use este producto si está mojado, en agua, cerca de agua o de cualquier líquido. No toque el enchufe o el control remoto si sus manos están mojadas.
- Enchufe directamente en un tomacorriente en la pared. No utilice un cordón de extensión, un adaptador o protector de sobretensión.
- Mantenga el cordón alejado de los niños pequeños y no lo use si puede implicar riesgo de tropiezos.

⚠ ADVERTENCIA – Para reducir el riesgo de lesiones graves:

- Los sillones elevadores 4LP están diseñados para un ocupante, que no supere las 325 libras (147 kg). No opere el sillón con más de un ocupante en éste o en cualquier parte del sillón.
- Siéntese lentamente en la unidad. Para evitar que se vuelque, no se arroje contra el respaldo. Recline o enderece la unidad lentamente después de asegurarse de que no hayan niños o mascotas en las cercanías.
- Para levantarse de la unidad y no tropezar, regrese el respaldo a su posición vertical y pliegue el apoyapiernas.
- La unidad está diseñada para poder levantarse con facilidad de la silla. Tenga cuidado de no levantarse de la silla cuando esté en movimiento.

AVISO – Para reducir el riesgo de daños al producto:

- Transcurridos 2 minutos de operación continua de las sillas 4LP, procure que las funciones de elevación y reclinado descansen durante 16 minutos.

Puesta en marcha

Para evitar dañar el producto, las funciones de elevación y reclinado del sillón 4LP no deben utilizarse de forma continua durante mucho tiempo. Transcurridos 2 minutos de operación continua, procure que las funciones de elevación y reclinado descansen durante 16 minutos.

Una el conector del transformador eléctrico al conector que se encuentra en la base del sillón elevador. Conecte el cordón de 120 voltios al transformador. Enchufe el transformador **directamente** en un tomacorriente en la pared.

Operación del sillón reclinable eléctrico Silver Luxury-Lift®

El **4LP** ofrece múltiples modos de operación. El botón grande y redondo **LIFT** y **RECLINE** en el frente del mando manual Y el interruptor en la parte posterior de este proporcionan movimientos coordinados.

El botón **LIFT** y **RECLINE** y el interruptor posterior desempeñan todas las funciones del sillón con un movimiento fluido a partir de la posición sentado, reclinándose y desplegando el apoyapiernas, hasta la posición completamente recta y vertical.

Para sentarse en el sillón:

1. Párese al costado del sillón y mantenga presionado el botón **LIFT** que se encuentra en el frente o bien mueva el **interruptor posterior hacia abajo** y sosténgalo. Suelte el botón o el interruptor cuando el sillón alcance una altura que le resulte cómoda para sentarse, según sus necesidades y preferencia personales.
2. Párese delante del sillón y siéntese en el centro del asiento mientras mantiene sus pies firmes sobre el suelo.
3. Mantenga presionado el botón **RECLINE** que se encuentra en el frente o bien mueva el **interruptor posterior hacia arriba** y sosténgalo, para bajar el sillón. Suelte el botón o el interruptor cuando el sillón alcance la posición vertical de sentado.

Instrucciones de operación del sillón reclinable eléctrico Silver Luxury-Lift®

Para reclinarse el sillón:

Hay múltiples modos de operación para reclinarse el sillón. El respaldo y el apoyapiernas se mueven al mismo tiempo cuando utiliza el botón grande y redondo **LIFT** y **RECLINE** que se encuentra en el frente del mando manual o el interruptor que se encuentra en la parte posterior de este.

1. Con el sillón en la posición de sentado, mantenga presionado el botón grande y redondo **RECLINE** o bien mueva el **interruptor posterior hacia arriba** y sosténgalo para reclinarse el respaldo y elevar el apoyapiernas. Suelte el botón o el interruptor cuando se encuentre en una posición cómoda.
2. Ajuste la reclinación del respaldo y del apoyapiernas según lo desee.
3. Para volver a la posición vertical de sentado, mantenga presionado el botón grande y redondo **LIFT** que se encuentra en el frente, o bien mueva el **interruptor posterior hacia abajo** y sosténgalo. Suelte el botón o el interruptor cuando alcance la posición vertical de sentado.

Para levantarse del sillón:

Hay múltiples modos de operación para usar la función de elevación. El botón redondo **LIFT** en el frente y el interruptor en la parte posterior proporcionan un movimiento coordinado de la función de elevación. El sillón debe estar en su posición vertical de sentado –con el respaldo completamente vertical y el apoyapiernas completamente plegado– para poder utilizar la función de elevación.

1. Coloque los pies sobre el piso con firmeza para mantener el equilibrio y evitar resbalarse o caer. Mantenga presionado el botón **LIFT** que se encuentra en el frente, o bien mueva el **interruptor posterior hacia abajo** y sosténgalo para elevar el sillón a la posición vertical.
2. Suelte el botón o el interruptor cuando el sillón alcance una altura que le permita pararse con comodidad. Salga del sillón con cuidado.
3. Regrese el sillón a la posición vertical de sentado si no lo utilizará durante mucho tiempo. Mantenga presionado el botón **RECLINE** que se encuentra en el frente o bien mueva el **interruptor posterior hacia arriba** y sosténgalo para bajar el sillón. Suelte el botón o el interruptor cuando el sillón alcance la posición vertical de sentado.

Funciones de operación adicionales:

Apoyapiernas de seguridad

El sillón elevador Silver incluye la función de seguridad de separación de apoyapiernas. Cuando el apoyapiernas encuentra obstrucciones muy comunes al plegarse, se desacopla o separa del mecanismo. Escuchará un sonido de “pop” cuando esto suceda y el apoyapiernas dejará de moverse.

Si el apoyapiernas se desacopla del mecanismo, jálelo suavemente hacia arriba y retire la obstrucción que estaba interfiriendo. El apoyapiernas debe estar cerca de la posición de plegado. Después, empuje con firmeza el apoyapiernas a la posición de plegado usando las piernas. Escuchará un sonido de “pop” cuando el apoyapiernas vuelva a acoplarse al mecanismo.

Dada la sensibilidad de la función de separación, el apoyapiernas puede desacoplarse si ejerce presión con todo el peso de su cuerpo hacia el frente del sillón cuando está bajando el apoyapiernas. Si esto sucede, deje de ejercer presión con el peso de su cuerpo y empuje con firmeza el apoyapiernas a la posición de plegado usando las piernas. El apoyapiernas debe estar cerca de la posición de plegado cuando vuelva a acoplar el mecanismo.

Protección contra sobrealimentación del transformador eléctrico

Los sillones elevadores de la serie Silver están equipados con una protección contra sobrealimentación. Esta función evita daños a los motores y los circuitos electrónicos en caso de una sobrecarga, cortocircuito o una falla en la descarga a tierra. En caso de que el sistema detecte una sobrealimentación, se apagará y el sillón reclinable dejará de funcionar.

Si se activa la protección de sobrealimentación, deje de presionar el botón o el interruptor en uso. El sistema se reiniciará automáticamente. Si cree que el sillón no está sufriendo una sobrecarga, un cortocircuito o una falla en la descarga a tierra, puede reiniciar el funcionamiento del sillón después de haber liberado el botón o el interruptor. En caso de que la protección contra sobrealimentación se active de forma repetida, consulte la sección *Solución de problemas* en este manual.

Además, la alimentación eléctrica incluye una luz verde de estado de LED que indica si el sistema está recibiendo alimentación. Si la luz **no** se enciende, entonces el sistema no está recibiendo alimentación. Consulte la sección *Solución de problemas* en este manual si la alimentación eléctrica está enchufada pero la luz verde no se enciende.

(Continuación de las instrucciones de operación)

Instrucciones de operación del sillón reclinable eléctrico Silver Luxury-Lift®

FRENTE

Botón de elevar y retornar de forma coordinada

Cuando esté sentado, mantenga presionado el botón **LIFT** para elevar el sillón a la posición vertical.

– 0 –

Cuando esté en la posición reclinada, mantenga presionado el botón **LIFT** para volver el respaldo a la posición vertical y el apoyapiernas a la posición plegada.

Suelte el botón para detenerse en una posición reclinada o cuando se encuentre en la posición completamente vertical.



Botón de reclinar y bajar de forma coordinada

Cuando esté en la posición elevada, mantenga presionado el botón **RECLINE** para bajar el sillón a la posición de sentado.

– 0 –

Cuando esté sentado, mantenga presionado el botón **RECLINE** para reclinar el respaldo y elevar el apoyapiernas.

Suelte el botón para detenerse en una posición reclinada o cuando se encuentre en la posición completamente reclinada.

Instrucciones de operación del sillón reclinable eléctrico Silver Luxury-Lift®

DORSO

Interruptor hacia abajo –para elevar y retornar de forma coordinada

Cuando esté sentado, mueva el **interruptor hacia abajo** para elevar el sillón a la posición vertical.

– 0 –

Cuando esté en la posición reclinada, mantenga presionado el **interruptor hacia abajo** para volver el respaldo a la posición vertical y el apoyapiernas a la posición plegada.

Suelte el interruptor para detenerse en una posición reclinada o cuando se encuentre en la posición completamente vertical.



Interruptor hacia arriba –para bajar y reclinar de forma coordinada

Cuando esté en la posición elevada, mueva el **interruptor hacia arriba** y sosténgalo para bajar el sillón a la posición de sentado.

– 0 –

Cuando esté sentado, mueva el **interruptor hacia arriba** y sosténgalo para reclinar el respaldo y elevar el apoyapiernas.

Suelte el interruptor para detenerse en una posición reclinada o cuando se encuentre en la posición completamente reclinada.

⚠️ ADVERTENCIA – Para reducir el riesgo de lesiones graves:

- No utilice la unidad si el control eléctrico está dañado o mojado. No utilice la unidad si se ha sumergido el control remoto en agua u otro líquido. Comuníquese con su distribuidor La-Z-Boy® si necesita servicio.

⚠️ ADVERTENCIA – Para reducir el riesgo de lesiones graves:

- No utilice la unidad si el control eléctrico está dañado o mojado. No utilice la unidad si se ha sumergido el control remoto en agua u otro líquido. Comuníquese con su distribuidor La-Z-Boy® si necesita servicio.

Solución de problemas del sillón reclinable eléctrico Silver Luxury-Lift®

⚠️ ADVERTENCIA – Para reducir el riesgo de lesiones graves:

- No trate de desarmar o hacer un servicio a la bomba o al motor. Estos no contienen piezas que se puedan reparar. Comuníquese con su distribuidor La-Z-Boy® si necesita servicio.
- Revise una vez por mes el estado de los transformadores, los cordones, enchufes y conectores eléctricos. Mantenga los transformadores y cordones eléctricos alejados de fuentes de calor. Nunca opere la unidad si tiene un transformador, cordón, enchufe o conector eléctrico dañado. Comuníquese con su distribuidor La-Z-Boy® si necesita servicio.
- Los sillones elevadores 4LP están diseñados para un ocupante, que no supere las 325 libras (147 kg). No opere el sillón con más de un ocupante en éste o en cualquier parte del sillón.

Solución de problemas de la operación del apoyapiernas

Si el apoyapiernas deja de moverse mientras se está plegando y todas las otras funcionalidades del sillón elevador funcionan, es posible que el apoyapiernas haya encontrado una obstrucción y se haya desacoplado del mecanismo.

1. Verifique para asegurarse de que no haya obstrucciones. Mantenga el apoyapiernas elevado, busque si hay obstrucciones y retírelas.
2. Empuje con firmeza el apoyapiernas a la posición de plegado usando las piernas. Escuchará un sonido de “pop” cuando el apoyapiernas se vuelva a acoplar al mecanismo.

Si no hay obstrucciones y el apoyapiernas sigue sin plegarse adecuadamente, comuníquese con su distribuidor de La-Z-Boy® si necesita servicio.

Solución de problemas de las funciones de elevar y reclinar

Si las funciones de reclinar o elevar no funcionan, verifique lo siguiente:

1. Asegúrese de que el cordón de 120 voltios esté enchufado a un tomacorriente.
2. Verifique el transformador eléctrico y asegúrese de que la luz verde de LED del indicador de alimentación esté encendida.
3. Asegúrese de que el tomacorriente funcione. Por ejemplo, asegúrese de que no haya un fusible quemado o un interruptor automático activado.
4. Asegúrese de que todas las conexiones estén aseguradas; consulte las *Instrucciones de ensamble*.
5. Asegúrese de que los cordones no estén doblados ni retorcidos. Asegúrese de que el cordón y el enchufe no estén dañados.
6. Asegúrese de que la capacidad de operación no se haya excedido y de que haya solo un ocupante en el sillón; consulte las *Instrucciones de operación*.

Reemplazo del transformador eléctrico

Si el transformador eléctrico se debe reemplazar:

1. Desenchufe el transformador eléctrico del tomacorriente.
2. Desconecte el cordón de 120 voltios del transformador eléctrico y desmonte el transformador eléctrico del conector de alimentación eléctrica. Consulte las *Instrucciones de ensamble*.
3. Conecte el nuevo transformador eléctrico al conector de alimentación eléctrica; alinee los conectores y empújelos para unirlos hasta que traben. Conecte el cordón de 120 voltios al nuevo transformador eléctrico; alinee el conector con el transformador eléctrico y presiónelos hasta que se acoplen. Consulte las *Instrucciones de ensamble*.
4. Proceda con las *Instrucciones de ensamble de la batería de reserva*.

Guía de disposición de muebles

⚠️ ADVERTENCIA – Para reducir el riesgo de lesiones graves:

- Asegúrese que el sillón, respaldo y apoyapiernas tengan suficiente espacio para su operación. Coloque tapetes y mesas de forma que el apoyapiernas pueda extenderse sin que haga contacto con los mismos.

Para colocar su unidad de reclinación a una distancia adecuada de la pared, recline el sillón por completo y deje un mínimo de 2 pulgadas (5,08 centímetros) de espacio entre la parte superior del respaldo y la pared.

Coloque tapetes y mesas a una distancia que permita que el apoyapiernas pueda extenderse sin que haga contacto con los mismos.



Félicitations!

Vous êtes maintenant l'heureux propriétaire de l'ultramoderne fauteuil inclinable ÉlectroPlus de La-Z-Boy^{MD}.

Vous venez de vous procurer l'un des meilleurs produits rembourrés jamais produits par l'industrie du meuble, dont la conception s'appuie sur plus de 90 ans d'excellence dans le domaine de la fabrication.

La-Z-Boy est fier de l'esthétique soignée de ses produits et de son savoir-faire, et nous savons que vous penserez de même en profitant du confort et du style de votre nouveau meuble.

IMPORTANT

Lisez les consignes de sécurité et autres instructions avant d'utiliser de votre fauteuil inclinable ÉlectroPlus. Conservez ce manuel pour référence ultérieure.

Table des matières

Consignes de sécurité importantes.....	36-37
Fauteuil inclinable ÉlectroPlus : Instructions d'assemblage.....	38-41
Fauteuil inclinable ÉlectroPlus : Instructions pour le réglage des glisseurs.....	42
Fauteuil inclinable ÉlectroPlus : Instructions d'assemblage de la batterie de secours.....	43
Fauteuil inclinable ÉlectroPlus : Instructions d'utilisation.....	44-47
Fauteuil inclinable ÉlectroPlus : Dépannage.....	48
Instructions pour le positionnement du meuble.....	49

Dénégation de responsabilité : Les informations et les produits figurant dans ce manuel pourraient différer quelque peu du produit que vous avez acheté. La-Z-Boy se réserve le droit d'effectuer des substitutions qui présentent le même niveau de qualité et de rendement.

Consignes de sécurité importantes :

Important : Lire attentivement les instructions suivantes avant l'utilisation. Pendant l'assemblage, ne pas brancher l'appareil avant que cela ne soit indiqué dans les Instructions de fonctionnement.

⚠ DANGER - Pour réduire le risque de décharge électrique, de blessures graves ou de mort :

- Ne jamais laisser les enfants jouer sur le fauteuil ou autour de celui-ci quand il est utilisé. Il y a risque de blessures graves ou de mort si la tête ou une partie du corps se trouve sous le fauteuil lorsque le fauteuil est en mouvement.
- Débrancher la fiche électrique de la prise murale avant de nettoyer, déplacer le meuble ou en assurer l'entretien ou lorsqu'il n'est pas utilisé pendant une période prolongée.
- Ne pas utiliser ce produit s'il est mouillé, dans l'eau, près de l'eau ou de tout autre liquide. Ne pas manipuler la fiche ou la télécommande avec les mains mouillées.
- Pour prévenir la suffocation, garder les sacs de plastique loin des enfants.
- Brancher directement dans une prise murale. Ne pas utiliser de rallonge, d'adaptateur ou de limiteur de surtension.
- Garder le cordon hors de portée des jeunes enfants et ne pas utiliser là où il peut constituer un danger de chute.

⚠ AVERTISSEMENT - Pour réduire le risque de brûlures, d'incendie, de décharge électrique, de blessures graves ou de mort :

- Garder le rembourrage éloigné des flammes et des cigarettes allumées. Le rembourrage peut brûler rapidement en dégagant des gaz toxiques et une fumée épaisse. Des incendies qui démarrent ailleurs dans une maison peuvent se propager et brûler le rembourrage. Pour plus de sécurité, toujours utiliser un détecteur de fumée correctement installé avec des piles chargées.
- Une supervision étroite est nécessaire quand ce produit est utilisé par des enfants ou des personnes handicapées.
- Vous asseoir lentement sur le meuble. Pour éviter qu'il bascule, ne pas lancer votre poids contre le dossier. Y aller lentement quand vous vous inclinez ou remettez en position verticale, et vous assurer qu'il n'y a pas d'enfant ou d'animal de compagnie à proximité.
- Ce produit compte plusieurs pièces mobiles et peut causer des blessures graves s'il n'est pas utilisé correctement. Garder les mains, les doigts et toute autre partie du corps loin du mécanisme. Pour réduire le risque de coincer la tête ou d'autres blessures, éloigner les enfants et les animaux des ouvertures et des pièces mobiles qui se trouvent dans le meuble ou autour de celui-ci.
- Seul l'occupant doit faire fonctionner le meuble. Ne jamais tenter d'ouvrir le repose-jambes en tirant dessus.
- Ne pas se tenir debout, s'asseoir ou mettre de poids excessif sur les bras, le dossier ou le repose-jambes déployé.
- Pour sortir du meuble en toute sécurité et pour éviter de trébucher, relever le dossier et fermer le repose-jambes.
- Ne pas utiliser ce produit s'il est endommagé. Ne pas utiliser d'accessoires ou de pièces de substitution.
- Ce produit est exclusivement réservé à un usage résidentiel intérieur.
- Prévoir un parcours sans obstructions pour faire fonctionner le fauteuil, le dossier et le repose-jambes. Placer les tables et les tapis assez loin pour que le repose-jambes puisse s'ouvrir complètement sans frottement ni obstruction.
- Vérifier tous les mois l'état des transformateurs électriques, rallonges, fiches et connecteurs. Éloigner les transformateurs électriques et les rallonges des sources de chaleur. Ne jamais faire fonctionner le meuble si le transformateur électrique, le cordon d'alimentation, la fiche ou les connecteurs sont endommagés. Communiquer avec votre détaillant La-Z-Boy^{MD} pour le service.
- Ne pas utiliser si la commande électrique est endommagée ou mouillée. Ne pas utiliser le meuble si la commande manuelle est tombée dans l'eau ou tout autre liquide. Communiquer avec votre détaillant La-Z-Boy^{MD} pour le service.
- Ce produit n'est pas conçu pour être utilisé comme dispositif de soins de santé. Certains médicaments et limites physiques peuvent réduire votre capacité de faire fonctionner ce produit en toute sécurité. Consulter votre médecin si vous prenez des médicaments d'ordonnance ou en vente libre, ou si vous avez des limites physiques.
- Les utilisateurs de dispositifs médicaux doivent communiquer avec leur fournisseur de soins de santé avant d'utiliser ce produit. Ne pas utiliser ce produit si vous avez des problèmes de circulation, si vous êtes immobilisé ou ne pouvez ressentir la chaleur, sauf sur avis de votre fournisseur de soins de santé.

Consignes de sécurité importantes :

Important : Lire attentivement les instructions suivantes avant l'utilisation. Pendant l'assemblage, ne pas brancher l'appareil avant que cela ne soit indiqué dans les Instructions de fonctionnement.

- L'appareil est conçu pour faciliter la sortie du fauteuil. Prenez soin de ne pas glisser hors du fauteuil lorsque ce dernier est en mouvement.
- Ne pas utiliser ce produit en présence de produits en aérosol (vaporisateurs) où si on administre de l'oxygène.
- En cas de panne de courant, la batterie de secours fournie peut ne pas lever l'utilisateur vers la position d'élévation complète. Pour assurer la fonction d'élévation pendant une panne de courant, il faut acheter séparément une batterie de secours. Communiquer avec votre détaillant La-Z-Boy^{MD} pour en savoir plus. Remplacer les piles du transformateur tous les six mois et après toute utilisation pendant une panne de courant.
- Ne pas faire fonctionner le meuble avant d'avoir installé et bloqué le dossier.
- Avant de déplacer le produit, débrancher la fiche électrique de la prise murale et bloquer le mécanisme pour l'empêcher de s'ouvrir soudainement ou de bouger. Ne jamais déplacer le meuble par le mécanisme, le repose-jambes, la poignée, le dossier inclinable ou la base pivotante.
- Ne jamais tenter de démonter la pompe ou le moteur ou d'en faire l'entretien. Ces éléments ne contiennent aucune pièce à entretenir. Communiquer avec votre détaillant La-Z-Boy^{MD} pour le service.
- Ne jamais laisser le fil électrique se coincer entre les pièces mobiles ou entre la charpente et le sol. Ne pas placer le fil sous un tapis ou à un endroit où il pourrait s'user.
- Ne pas utiliser d'oreiller, de couverture ou autre élément semblable entre l'occupant et la surface du fauteuil quand la chaleur est activée.
- Toujours débrancher le cordon d'alimentation avant de connecter ou déconnecter la commande manuelle.
- Débrancher le cordon d'alimentation immédiatement si des odeurs ou des émanations bizarres se dégagent du fauteuil.
- Ne jamais tenter de débrancher la fiche électrique en tirant sur le cordon d'alimentation. Toujours bien tenir la fiche et la retirer.
- Une mauvaise utilisation ou un mauvais entretien des coussins chauffants internes peut causer des brûlures. Pour éviter les brûlures, ne pas utiliser d'épingles, ne pas permettre que le coussin chauffant se mouille et ne pas retirer le revêtement du rembourrage.
- Pour réduire le risque de décharge électrique, ce meuble est muni d'une fiche polarisée (une broche est plus large que l'autre). Cette fiche entre dans une prise polarisée d'une seule façon. Si la fiche n'entre pas pleinement dans la prise, inverser la fiche. Si elle n'entre toujours pas, communiquer avec un électricien autorisé pour faire installer une prise appropriée. Ne jamais modifier la fiche de quelque manière que ce soit.
- Les fauteuils 4LP sont conçus pour une seule personne dont le poids ne dépasse pas 147 kg (325 lb). Ne pas faire fonctionner le fauteuil s'il y a plus d'une personne sur quelque partie du fauteuil que ce soit.
- Si vous donnez ce produit à quelqu'un d'autre, lui donner aussi ce manuel d'instructions.

AVIS - Pour réduire le risque d'endommager le produit :

- Pour prévenir les dommages au transformateur, ne pas le brancher tant que ce n'est pas demandé dans les instructions.
- Appuyez doucement sur les boutons pendant le fonctionnement et évitez de les enfoncer avec des objets pointus ou durs.
- Ne jamais faire fonctionner l'unité, sauf lorsqu'elle est sur son socle et en position verticale.
- Après 2 minutes de fonctionnement continu des fauteuils 4LP, permettez aux fonctions de levage et d'inclinaison de se reposer pendant 16 minutes.
- Ne jamais faire fonctionner l'appareil jusqu'à ce que l'attache du câble d'expédition n'ait été retirée du mécanisme.

Fauteuil inclinable ÉlectroPlus : Instructions d'assemblage

AVIS – Pour réduire le risque d'endommager le produit :

- Ne pas brancher le transformateur avant qu'il ne vous soit indiqué de le faire.
- Ne jamais faire fonctionner l'appareil jusqu'à ce que l'attache de câble d'expédition n'ait été retirée du mécanisme.

1. Choisir un emplacement pour le fauteuil qui soit près d'une prise de courant.
2. Commencer par retirer l'unité de sa boîte et de son emballage. Déposer le dossier entre les bras du fauteuil avec le coussin du dossier faisant face au siège, puis retourner le revêtement du dossier par dessus, vers le devant du fauteuil. Couper et retirer l'attache de câble du mécanisme d'assemblage, située à l'arrière du mécanisme (FIGURE 1).
3. Couper les attaches de câble de la commande manuelle, du cordon d'alimentation et de l'armoire pour transformateur électriques situés derrière l'ensemble (FIGURE 3). Retirer la commande manuelle de l'emballage et mettre les autres composants de côté.
4. Brancher la commande manuelle. Repérer le connecteur noir et arrondi situé derrière le bâti (FIGURE 3) puis aligner la flèche sur le connecteur de la commande manuelle à la flèche sur le connecteur du bâti. Enfoncer les connecteurs l'un dans l'autre et refermer le couvercle afin de sécuriser la connexion (FIGURE 2). Déposer la commande manuelle sur le siège, vers le devant du fauteuil.

⚠ AVERTISSEMENT – Pour réduire le risque de blessures :

- Ne pas faire fonctionner le meuble avant d'avoir installé et bloqué le dossier.

5. Installer le dossier.
 - Tourner les leviers de blocage qui sont situés sur des supports rattachés au dossier (de chaque côté), à un angle de 90 degrés (FIGURE 3).
 - Prendre note de l'emplacement du ruban de fixation, cousu sur le revêtement du dossier; le ruban de fixation connexe est situé sur la traverse arrière. Ne pas attacher le ruban de fixation à cette étape.
 - Soulever le dossier entre les bras du fauteuil de manière à ce qu'il soit légèrement incliné et aligner les supports sur le dossier avec les supports sur le bâti (FIGURE 3).
 - Abaisser le dossier sur le bâti, en s'assurant que le dossier et les supports du bâti sont complètement enclenchés.
 - Soulever le revêtement du dossier afin de confirmer que les supports du dossier et du bâti sont tous deux bien enclenchés (FIGURE 4). Si au moins un des supports n'est pas bien enclenché, retirer le dossier et répéter les étapes précédentes.
 - Si vous vous voyez dans l'incapacité d'installer le dossier correctement, communiquer avec votre représentant La-Z-Boy[®] afin d'obtenir de l'aide.
 - Verrouiller les supports en appuyant sur leviers de blocage à l'aide d'un tournevis (FIGURE 5).

(suite des instructions d'assemblage)

Fauteuil inclinable ÉlectroPlus : Instructions d'assemblage

FIGURE 1



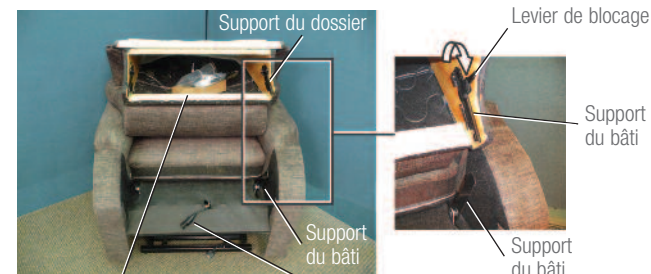
Attache de câble

FIGURE 2



Connexion de la commande manuelle

FIGURE 3



Commande manuelle, cordon d'alimentation et armoire pour transformateur

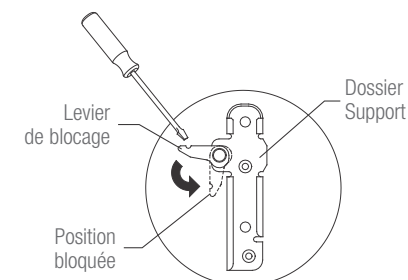
Connecteur de la commande manuelle à l'arrière du bâti

FIGURE 4



Dossier et bâti
Supports enclenchés

FIGURE 5



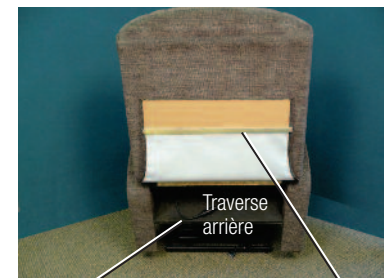
Fauteuil inclinable ÉlectroPlus : Instructions d'assemblage

6. Fixer le revêtement du dossier. Le revêtement rembourré du dossier se fixe au bâti à l'aide des rubans de fixation. Tirer sur le revêtement rembourré du dossier vers le bas et presser fermement le ruban de fixation situé à l'extérieur du recouvrement du dossier contre le ruban de fixation situé sur la face inférieure de la traverse arrière (FIGURE 6).
7. Effectuer les branchements du transformateur électrique.
 - Retirer le transformateur électrique de sa boîte et dérouler le cordon.
 - Aligner le connecteur du transformateur électrique à celui du bloc d'alimentation derrière le fauteuil et appuyer les connecteurs l'un sur l'autre jusqu'à ce qu'ils s'enclenchent (FIGURE 7).
 - Brancher le cordon d'alimentation de 120 volts au transformateur électrique. Aligner le connecteur du cordon d'alimentation de 120 volts au transformateur électrique et le pousser jusqu'à ce qu'il soit bien en place (FIGURE 7). Ne pas brancher avant qu'il le soit indiqué dans les *Instructions d'utilisation*.
8. Poursuivre avec les *Instructions pour le Réglage des glisseurs*, suivi des *Instructions d'assemblage pour la batterie de secours*.
9. Pour retirer le dossier, débrancher le cordon d'alimentation de 120 volts de la prise de courant et déconnecter le connecteur du transformateur de celui du bloc d'alimentation. Suivre à rebours les étapes des *Instructions d'assemblage*.

(suite des instructions d'assemblage)

Fauteuil inclinable ÉlectroPlus : Instructions d'assemblage

FIGURE 6



Remarque : Le ruban de fixation situé sur la face inférieure de la traverse arrière du bâti n'est pas visible.

Ruban de fixation

Ruban de fixation

FIGURE 7



Transformateur électrique
Branchement du bloc
d'alimentation

Branchement du cordon
d'alimentation de 120 volts

Fauteuil inclinable ÉlectroPlus : Instructions pour le réglage des glisseurs

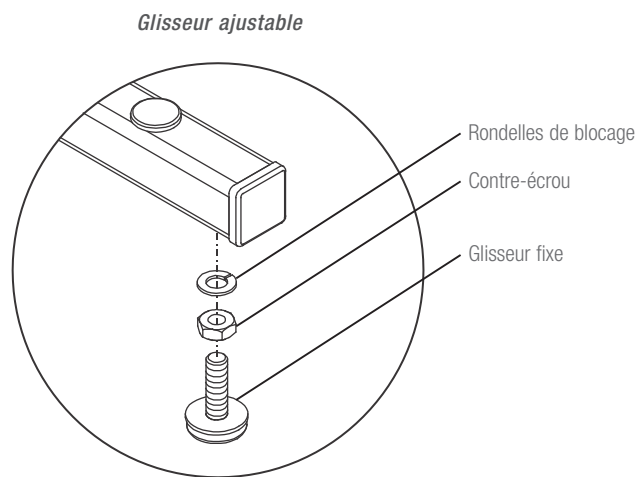
⚠ AVERTISSEMENT – Pour réduire le risque de blessures graves :

- Prévoir un parcours sans obstructions pour faire fonctionner le fauteuil, le dossier et le repose-jambes. Placer les tables et les carpettes assez loin pour que le repose-jambes puisse s'ouvrir complètement sans frottement ni obstruction.

Réglage des glisseurs

Les glisseurs ajustables au-devant de la base permettent de soulever le fauteuil et de le mettre au niveau, selon les besoins. S'assurer d'ajuster les glisseurs à une hauteur qui prévoit un espace dégagé pour déployer le repose-jambes (voir les *Instructions pour le positionnement du meuble*).

- Chaque glisseur est rattaché à la base par un contre-écrou et une rondelle de blocage. Desserrer le contre-écrou.
- Tourner le glisseur dans le sens horaire afin d'abaisser le fauteuil ou dans le sens antihoraire afin de soulever ce dernier.
- Lorsque le réglage est approprié, resserrer le contre-écrou contre la rondelle de blocage. Effectuer des réglages au besoin.
- Répéter ces étapes pour les autres glisseurs ajustables, au besoin.



Fauteuil inclinable ÉlectroPlus : Instructions d'assemblage de la batterie de secours

⚠ AVERTISSEMENT – Pour réduire le risque de blessures graves :

- En cas de panne de courant, la batterie de secours fournie peut ne pas lever l'utilisateur vers la position d'élévation complète. Pour assurer la fonction d'élévation pendant une panne de courant, il faut acheter séparément une batterie de secours. Communiquer avec votre détaillant La-Z-Boy pour en savoir plus. Remplacer les piles du transformateur tous les six mois et après toute utilisation pendant une panne de courant.

Instructions d'assemblage de la batterie de secours

Le rendement de la batterie de secours intégrée ne peut être garanti. Si vous nécessitez un usage continu lors d'une panne de courant, il est conseillé d'acheter un système de batterie de secours séparé. Communiquer avec votre détaillant La-Z-Boy^{MD} pour en savoir plus.

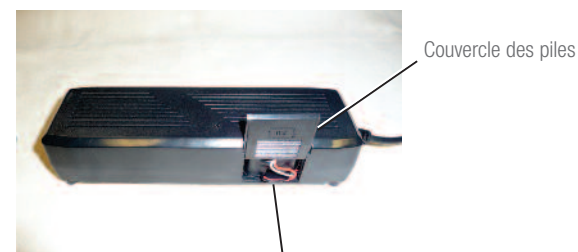
La vitesse de fonctionnement est réduite lorsque la batterie de secours est utilisée.

Lorsque la batterie de secours est utilisée, toujours maintenir une pression constante et uniforme sur le bouton ou l'interrupteur pour réduire la consommation d'énergie.

La batterie de secours intégrée est située dans le transformateur électrique et fonctionne à l'aide de deux piles alcalines de 9 volts (non incluses).

1. Débrancher le transformateur électrique de la prise de courant et déconnecter le connecteur du transformateur électrique de la base du fauteuil.
2. Le compartiment de la batterie est situé sur le côté du transformateur électrique. Faire glisser le couvercle de la batterie vers le haut afin d'accéder au compartiment des piles.
3. Mettre les blocs connecteurs sur les bornes de chaque pile. Mettre les piles dans le compartiment en prenant soin de ne pas endommager les fils.
4. Refermer le couvercle sur le compartiment.
5. Poursuivre avec les *Instructions d'utilisation*.

Boîtier de transformateur électrique



(2) Piles alcalines de 9 volts

Spécifications du fauteuil inclinable ÉlectroPlus :

Entrée : 120–240 V~, 50/60 Hz, 1,5 A.

Sortie : 29 V, 2,0 A.

Fauteuil inclinable ÉlectroPlus : Instructions d'utilisation

⚠ DANGER – Pour réduire le risque de blessures graves ou de mort :

- Ne jamais laisser les enfants jouer sur le fauteuil ou autour de celui-ci quand il est utilisé. Il y a risque de blessures graves ou de mort si la tête ou une partie du corps se retrouve sous le fauteuil lorsque le fauteuil est en mouvement.
- Ne pas utiliser ce produit s'il est mouillé, dans l'eau, près de l'eau ou de tout autre liquide. Ne pas manipuler la fiche ou la télécommande avec les mains mouillées.
- Brancher directement dans une prise murale. Ne pas utiliser de rallonge, d'adaptateur ou de limiteur de surtension.
- Garder le cordon hors de portée des jeunes enfants et ne pas utiliser là où il peut constituer un danger de chute.

⚠ AVERTISSEMENT – Pour réduire le risque de blessures graves :

- Les fauteuils 4LP sont conçus pour une seule personne dont le poids ne dépasse pas 147 kg (325 lb). Ne pas faire fonctionner le fauteuil s'il y a plus d'une personne sur quelque partie du fauteuil que ce soit.
- Vous asseoir lentement sur le meuble. Pour éviter qu'il bascule, ne pas lancer votre poids contre le dossier. Y aller lentement quand vous vous inclinez ou remettez en position verticale, et vous assurer qu'il n'y a pas d'enfant ou d'animal de compagnie à proximité.
- Pour sortir du meuble en toute sécurité et pour éviter de trébucher, relever le dossier et refermer le repose-jambes.
- L'appareil est conçu pour faciliter la sortie du fauteuil. Prenez soin de ne pas glisser hors du fauteuil lorsque ce dernier est en mouvement.

AVIS – Pour réduire le risque d'endommager le produit :

- Après 2 minutes de fonctionnement continu des fauteuils 4LP, permettez aux fonctions de levage et d'inclinaison de se reposer pendant 16 minutes.

Démarrage

Afin d'éviter un endommagement, les fonctions de levage et d'inclinaison des fauteuils 4LP ne devraient pas être utilisées pendant une période prolongée. Après 2 minutes de fonctionnement continu, mettre en pause les fonctions de levage et d'inclinaison pendant 16 minutes.

Brancher le connecteur du transformateur électrique à celui situé à la base du fauteuil. Brancher le cordon d'alimentation de 120 volts au transformateur. Brancher le transformateur électrique **directement** dans une prise murale.

Fauteuil inclinable ÉlectroPlus : Instructions d'utilisation

Le fauteuil **4LP** offre différents modes de fonctionnement. Le gros bouton rond marqué **LIFT** et **RECLINE** sur le devant de la commande manuelle AINSI QUE l'interrupteur situé derrière contrôlent les mouvements. Le bouton **LIFT** et **RECLINE** et l'interrupteur permettent d'utiliser de toutes les fonctions du fauteuil dans un seul mouvement fluide, de la position assise à la position inclinée jusqu'à l'extension du repose-jambes, et inversement vers la position redressée pour se relever.

Pour s'asseoir sur le fauteuil :

1. Se tenir à côté du fauteuil et enfoncer sans relâcher le bouton **LIFT**, ou appuyer **vers le bas** sur l'interrupteur situé derrière la commande. Relâcher le bouton ou l'interrupteur lorsque le fauteuil atteint une hauteur assez confortable pour vous y asseoir, selon vos besoins personnels ou votre préférence.
2. S'asseoir au centre du fauteuil en gardant ses pieds fermement ancrés sur le plancher.
3. Enfoncer sans relâcher le bouton **RECLINE**, ou appuyer **vers le bas** sur l'interrupteur de la commande afin d'abaisser le fauteuil. Relâcher le bouton ou l'interrupteur lorsque le fauteuil atteint la position assise normale.

Fauteuil inclinable ÉlectroPlus : Instructions d'utilisation

Pour incliner le fauteuil :

Le fauteuil s'incline de plusieurs façons. Le dossier et le repose-jambes se déplacent en tandem à l'aide du gros bouton rond **LIFT** et **RECLINE** sur le devant de la commande manuelle ou de l'interrupteur situé derrière.

1. Lorsque le fauteuil est dans la position assise, enfoncer sans relâcher le gros bouton rond **RECLINE** ou appuyer **vers le haut** sur l'interrupteur de la commande afin d'incliner le dossier et d'élever le repose-jambes. Relâcher le bouton ou l'interrupteur lorsque la position est confortable.
2. Des ajustements à l'inclinaison du dossier et du repose-jambes peuvent être faits selon vos préférences.
3. Afin de rétablir le fauteuil dans la position assise normale, enfoncer sans relâcher le gros bouton rond marqué **LIFT** ou appuyer vers le bas sur l'**interrupteur de la commande**. Relâcher le bouton ou l'interrupteur lorsque le fauteuil atteint la position redressée.

Afin de vous relever du fauteuil :

Le fauteuil s'élève de plusieurs façons. Le bouton rond marqué **LIFT** sur le devant de la commande et l'interrupteur sur le derrière contrôlent les mouvements. Le fauteuil doit être dans la position assise-avec le dossier entièrement relevé et le repose-jambes complètement fermé-afin de pouvoir utiliser la fonction d'élévation.

1. Les pieds doivent être ancrés solidement au sol afin de maintenir son équilibre et prévenir les glissements et les chutes. Enfoncer sans relâcher le bouton **LIFT** sur le devant de la commande ou appuyer **vers le bas** sur l'interrupteur afin d'élever le fauteuil à la position debout.
2. Relâcher le bouton ou l'interrupteur lorsque le fauteuil atteint une hauteur qui permet de se lever confortablement. Prière de quitter le fauteuil avec prudence.
3. Remettre le fauteuil dans la position assise et redressée s'il ne sera pas utilisé pendant une période prolongée. Enfoncer sans relâcher le bouton **RECLINE**, ou maintenir l'interrupteur de la commande **vers le bas** afin d'abaisser le fauteuil. Relâcher le bouton ou l'interrupteur lorsque le fauteuil atteint la position assise normale.

Instructions d'utilisation additionnelles :

Mécanisme de sécurité du repose-jambes

Les repose-jambes des fauteuils ÉlectroPlus possèdent un mécanisme de désengagement sécuritaire. Lorsque la fermeture du repose-jambes est obstruée, le repose-jambes se désengage du mécanisme. Dans un tel cas, un « pop » se fera entendre et le repose-jambes s'immobilisera.

Lorsque le repose-jambes se désengage du mécanisme, on doit le tirer doucement et enlever l'objet qui entravait en entravait la fermeture. À ce moment, le repose-jambes devrait être près de sa position refermée. Refermer le repose-jambes avec fermeté à l'aide de vos jambes. Un « pop » se fera entendre lorsque le repose-jambes sera reconnecté au mécanisme.

De par la nature sensible du mécanisme de désengagement, le repose-jambes peut se désengager si vous placez tout le poids de votre corps vers le devant du fauteuil alors que s'abaisse le repose-jambes. Dans un tel cas, repositionner le poids de votre corps et refermer le repose-jambes en appuyant dessus fermement avec vos jambes. Le repose-jambes devrait être près de sa position refermée avant de se réengager au mécanisme.

Protection du transformateur électrique contre la surtension

Les fauteuils de la série ÉlectroPlus sont munis d'une protection contre la surtension. Cette fonction prévient les dommages causés au moteur et aux composants électroniques en cas de surcharge, de court-circuit ou de mise à la masse défectueuse. Dans l'éventualité où le système détecterait une surtension, le système s'éteindrait de lui-même et la fonction inclinable cesserait de fonctionner.

Si la protection contre la surtension est activée, relâcher le bouton ou l'interrupteur. Le système devrait redémarrer automatiquement. S'il vous semble que le fauteuil n'est pas en surtension ou si vous subissez un court-circuit ou une mise à la masse défectueuse, il est possible de redémarrer la fonction du fauteuil après avoir relâché le bouton ou l'interrupteur. Dans l'éventualité où la protection contre la surtension s'activait à répétition, consulter la section *Dépannage* du présent manuel.

Par ailleurs, le bloc d'alimentation comprend un voyant lumineux vert DEL afin d'indiquer que le système est sous tension. Si le voyant lumineux **n'est pas** allumé, le système n'est pas sous tension. Consulter la section *Dépannage* du présent guide si le voyant lumineux vert ne s'affiche pas bien que le bloc d'alimentation soit branché.

(suite des Instructions d'utilisation)

Fauteuil inclinable ÉlectroPlus : Instructions d'utilisation

DEVANT

Bouton pour élévation et retour

En position assise, enfoncer sans relâcher le bouton **LIFT** afin d'élever le fauteuil à la position debout.

– OU –

En position inclinée, enfoncer sans relâcher le bouton **LIFT** afin de retourner le dossier dans sa position verticale et refermer le repose-jambes.

Relâcher le bouton afin d'immobiliser le fauteuil dans n'importe quelle position inclinée ou lorsqu'il est entièrement relevé.



Bouton pour abaissement et inclinaison

Lorsque le fauteuil est en position debout, enfoncer sans relâcher le bouton **RECLINE** afin d'abaisser le fauteuil à la position assise.

– OU –

En position assise, enfoncer sans relâcher sur le bouton **RECLINE** afin d'incliner le dossier et soulever le repose-jambes.

Relâcher le bouton afin d'immobiliser le fauteuil dans n'importe quelle position inclinée ou lorsqu'il est entièrement incliné.

AVERTISSEMENT – Pour réduire le risque de blessures graves :

- Ne pas utiliser si la commande électrique est endommagée ou mouillée. Ne pas utiliser le meuble si la commande manuelle est tombée dans l'eau ou dans tout autre liquide. Communiquer avec votre détaillant La-Z-Boy^{MD} pour le service.

Fauteuil inclinable ÉlectroPlus : Instructions d'utilisation

DERRIÈRE

Vers le bas – Élévation et retour

En position assise, appuyer sur l'interrupteur **vers le bas** sans le relâcher afin d'élever le fauteuil dans la position debout.

– OU –

En position inclinée, appuyer sur l'interrupteur **vers le bas** sans relâcher afin de retourner le dossier dans sa position assise et refermer le repose-jambes.

Relâcher le bouton afin d'immobiliser le fauteuil dans n'importe quelle position inclinée ou lorsqu'il est entièrement relevé.



Vers le haut – Abaissement et inclinaison

En position debout, appuyer sur l'interrupteur **vers le haut** sans relâcher afin d'abaisser le fauteuil dans la position assise.

– OU –

En position assise, appuyer sur l'interrupteur **vers le haut** sans relâcher afin d'incliner le dossier et d'élever le repose-jambes.

Relâcher le bouton afin d'immobiliser le fauteuil dans n'importe quelle position inclinée ou lorsqu'il est entièrement incliné.

AVERTISSEMENT – Pour réduire le risque de blessures graves :

- Ne pas utiliser si la commande électrique est endommagée ou mouillée. Ne pas utiliser le meuble si la commande manuelle est tombée dans l'eau ou dans tout autre liquide. Communiquer avec votre détaillant La-Z-Boy^{MD} pour le service.

Fauteuil inclinable ÉlectroPlus : Dépannage

⚠ AVERTISSEMENT – Pour réduire le risque de blessures graves :

- Ne jamais tenter de démonter la pompe ou le moteur ou d'en faire l'entretien. Ces éléments ne contiennent aucune pièce à entretenir. Communiquer avec votre détaillant La-Z-Boy^{MD} pour le service.
- Vérifier tous les mois l'état des transformateurs électriques, rallonges, fiches et connecteurs. Éloigner les transformateurs électriques et les rallonges des sources de chaleur. Ne jamais faire fonctionner le meuble si le transformateur électrique, le cordon d'alimentation, la fiche ou les connecteurs sont endommagés. Communiquer avec votre détaillant La-Z-Boy^{MD} pour le service.
- Les fauteuils 4LP sont conçus pour une seule personne dont le poids ne dépasse pas 147 kg (325 lb). Ne pas faire fonctionner le fauteuil s'il y a plus d'une personne sur quelque partie du fauteuil que ce soit.

Dépannage pour le repose-jambes

Si le repose-jambes s'immobilise alors qu'il se refermait et que les autres fonctionnalités du fauteuil sont toujours opérationnelles, il se pourrait qu'il ait rencontré un obstacle et qu'il se soit désengagé du mécanisme.

1. Vérifier que rien ne l'obstrue. Soulever le repose-jambes et retirer toute objet obstruant le passage.
2. Refermer avec fermeté le repose-jambes à l'aide de vos jambes; vous entendre un « pop » au moment où le repose-jambes se reconnectera au mécanisme.

S'il n'y a pas d'obstruction et que le repose-jambes ne se referme toujours pas correctement, communiquer avec votre représentant La-Z-Boy^{MD} pour un entretien.

Dépannage pour les fonctions de levage et d'inclinaison

Si les fonctions d'inclinaison ou de levage ne fonctionnent pas, effectuer les vérifications suivantes :

1. S'assurer que le cordon d'alimentation de 120 volts est branché dans une prise de courant.
2. Vérifier le transformateur électrique afin de s'assurer que le voyant lumineux vert DEL est allumé et donc que le transformateur est sous tension.
3. S'assurer que la prise de courant est fonctionnelle. Par exemple, s'assurer qu'il n'y a pas de fusible grillé ou de disjoncteur déclenché.
4. S'assurer que toutes les connexions sont bien fixées; voir les *Instructions d'assemblage*.
5. S'assurer que les cordons d'alimentation ne sont pas ondulés ou pincés. S'assurer que le cordon d'alimentation ou la fiche ne sont pas endommagés.
6. S'assurer que la capacité de fonctionnement a été respectée et qu'il n'y a qu'une seule personne dans le fauteuil; voir les *Instructions d'utilisation*.

Remplacement du transformateur électrique

Si le transformateur électrique doit être remplacé :

1. Débrancher l'ancien transformateur de la prise de courant.
2. Déconnecter le cordon d'alimentation de 120 volts du transformateur électrique et déconnecter le connecteur du bloc d'alimentation du transformateur électrique. Voir les *Instructions d'assemblage*.
3. Connecter le nouveau transformateur électrique au connecteur du bloc d'alimentation; aligner les connecteurs et les presser l'un sur l'autre jusqu'à ce qu'ils s'enclenchent. Connecter le cordon d'alimentation de 120 volts au nouveau transformateur électrique; aligner le connecteur sur le transformateur électrique et appuyer dessus jusqu'à ce qu'il soit bien en place. Voir les *Instructions d'assemblage*.
4. Poursuivre avec les *Instructions d'assemblage de la batterie de secours*.

Instructions pour le positionnement du meuble

⚠ AVERTISSEMENT – Pour réduire le risque de blessures graves :

- Prévoir un parcours sans obstructions pour faire fonctionner le fauteuil, le dossier et le repose-jambes. Placer les tables et les carpettes assez loin pour que le repose-jambes puisse s'ouvrir complètement sans frottement ni obstruction.

Afin de positionner votre fauteuil à une distance convenable du mur, l'incliner complètement et laisser un espace minimal de 2 po (5 cm) entre l'extrémité supérieure du dossier et le mur.

Placer les tables et les carpettes à une distance qui permet au repose-jambes de s'ouvrir complètement sans frottement ni obstruction.

